

## CBI DD-frame series accessories

**Emcomp's paralleling busbar systems** are especially developed for paralleling CBI DD-frame series up to 400A DC. The busbar links enable fast and reliable paralleling which shorten design time and saves cost in installation.



**EMCOMP**

# STRAIGHT CONNECTION POINT OPEN END CABLE

Description	Data	Dimensions
CBE-type	DD-frame 1P(M6)	
Rated Current	150A	
Description	0-35mm	
Torque	Max 4.5Nm	
Item No		
Bare Copper	EC201205-1	
Tin electro plating	EC201205-10	

Description	Data	Dimensions
CBE-type	DD-frame 2P(M6)	
Rated Current	250A	
Description	10-70mm	
Torque	Max 4.5Nm	
Item No		
Bare Copper	EC201205-2	
Tin electro plating	EC201205-20	

Description	Data	Dimensions
CBE-type	DD-frame 3P(M6)	
Rated Current	300A	
Description	10-70mm	
Torque	Max 4.5Nm	
Item No		
Bare Copper	EC201205-3	
Tin electro plating	EC201205-30	

Description	Data	Dimensions
CBE-type	DD-frame 4P(M6)	
Rated Current	350A	
Description	10-70mm	
Torque	Max 4.5Nm	
Item No		
Bare Copper	EC201205-4	
Tin electro plating	EC201205-40	

Description	Data	Dimensions
CBE-type	DD-frame 5P(M6)	
Rated Current	400A	
Description	10-70mm	
Torque	Max 4.5Nm	
Item No		
Bare Copper	EC201205-5	
Tin electro plating	EC201205-50	

# STRAIGHT CONNECTION POINT CABLE LUG M8


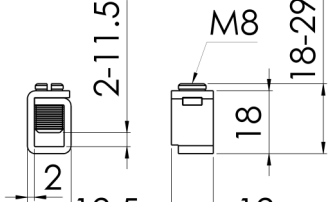
Description	Data	Dimensions
CBE-type	DD-frame 2P(M6)	
Rated Current	250A	
Description	10-70mm	
Torque	Max 4.5Nm	
Item No		
Bare Copper	EC201301-2	
Tin electro plating	EC201301-20	


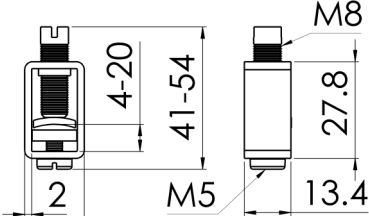
Description	Data	Dimensions
CBE-type	DD-frame 3P(M6)	
Rated Current	300A	
Description	10-70mm	
Torque	Max 4.5Nm	
Item No		
Bare Copper	EC201301-3	
Tin electro plating	EC201301-30	

Description	Data	Dimensions
CBE-type	DD-frame 4P(M6)	
Rated Current	350A	
Description	10-70mm	
Torque	Max 4.5Nm	
Item No		
Bare Copper	EC201301-4	
Tin electro plating	EC201301-40	

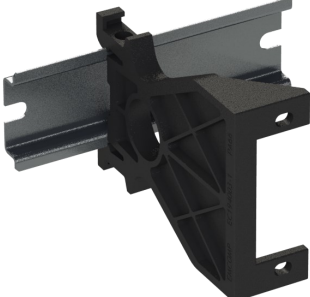
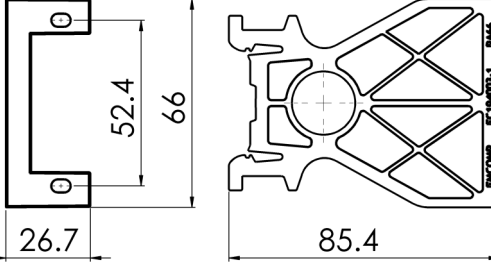
Description	Data	Dimensions
CBE-type	DD-frame 5P(M6)	
Rated Current	400A	
Description	10-70mm	
Torque	Max 4.5Nm	
Item No		
Bare Copper	EC201301-5	
Tin electro plating	EC201301-50	

## CONNECTION TERMINALS FOR OPEN END CABLE

Description	Data	Dimensions
Box terminal	-	 
Rated Current	-	
Cross Section	>35mm <sup>2</sup>	
Torque	Max 4.5Nm	
Item No	3190070	

Description	Data	Dimensions
Box terminal	-	 
Rated Current	-	
Cross Section	10-70mm <sup>2</sup>	
Torque	Max 4.5Nm	
Item No	4190131	
Included	Bottom screw and threaded washer	

## DIN-RAIL HOLDER

Description	Data	Dimensions
DIN-rail holder	DD-frame 1-5 P	 
Item No	EC194003-1	
PA66 GF25% Black	EC194003-1	
1-2P 1pcs, 2-5P 2pcs		
<p>The DIN rail holder enable easy installation of the front mounted DD-frame on traditional DIN rail. Recommended usage is one holder for 1-2 pole circuit breaker and 2 holders for 3-5 pole circuit breakers.</p>		

## OUR APPLICATION AREAS

Contact us for more information

