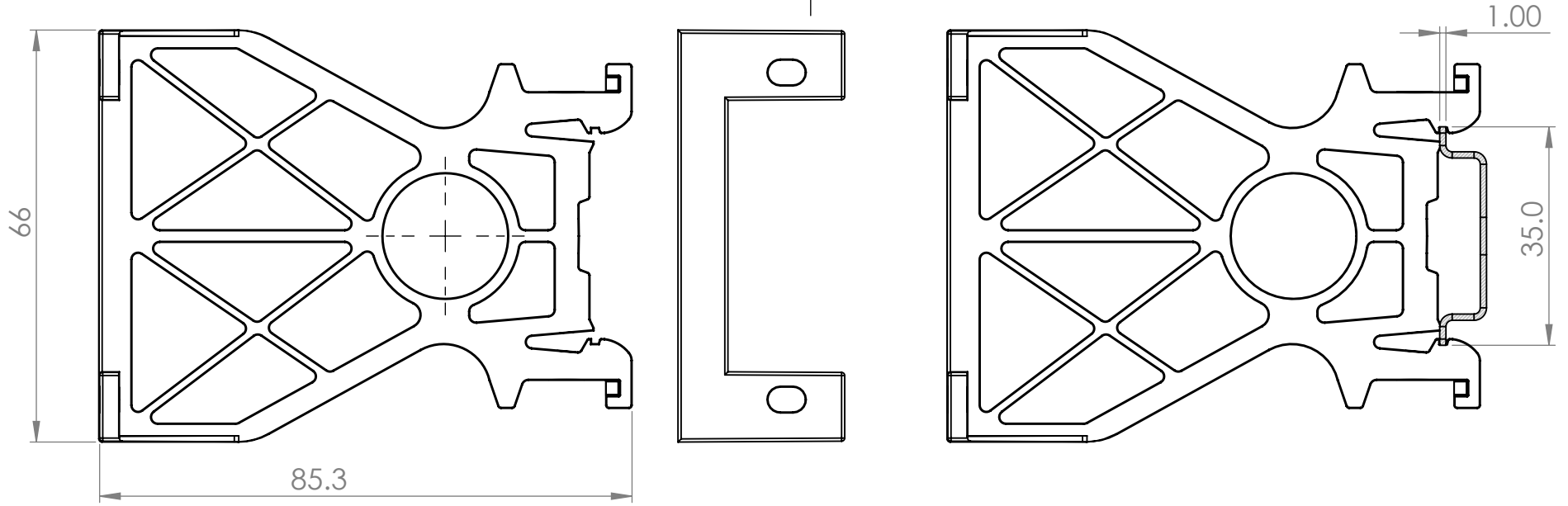


This drawing remains our property and is not to be copied without our permission, nor to be communicated to any competitor or other unauthorized person.

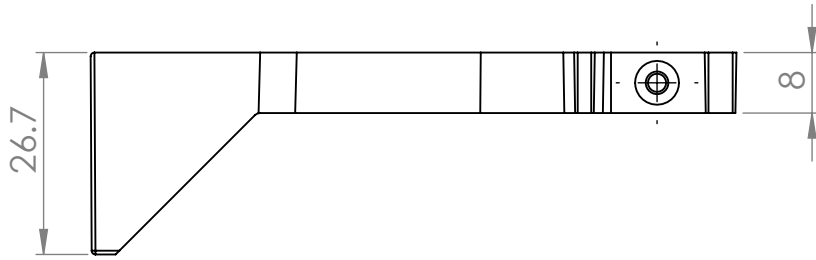
D



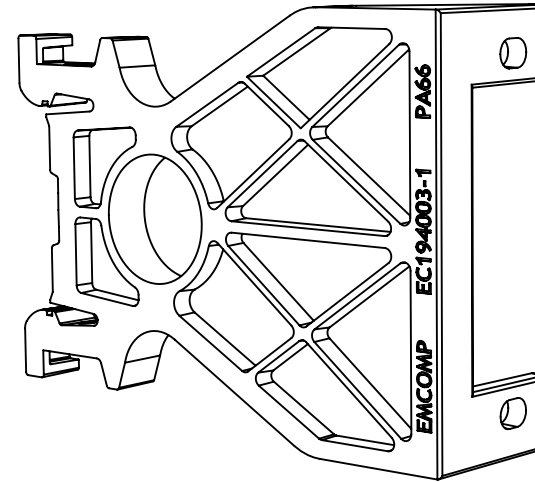
D

C

B



A



Drawn by Marten K	Date 20-04-16	Approved by	Date	Material PA66 + GF25% (Black)	Weight 31,5 kg	Surface finish	Projection 	
				Description Din holder DD frame	Tolerance (Unless otherwise stated)	Size A4	Scale 1:1	Sheet 1of (1)
					Drawing number EC194003-1WEB		Revision A	

6

5

4

3

2

1